

VERSIONS

- Type **A**: with bores for countersunk screws
- Type **B**: with bores for countersunk screws and centering attachments

HINGE LEAFS

AISI 316 stainless steel **A4**
Matte shot-blasted finish **GS**

HINGE PIN

Stainless Steel AISI 630
- Case hardened
- With special grease lubricated, FDA compliant, class H1

SHIM WASHERS

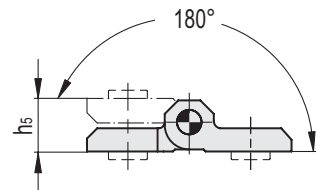
AISI 316Ti stainless Steel
With special grease lubricated, FDA compliant, class H1

INFORMATION

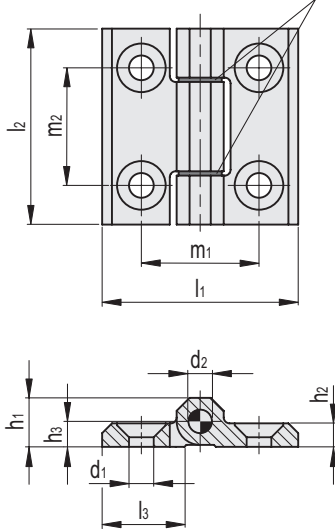
Heavy duty hinges GN 237.3 are designed for use under tough conditions and are distinguished by a compact design. Attachment points with a wider spacing and more installation holes allow a more effective introduction of force into the mounting surface. The hinge pins are integral and allow the hinges to be used in environments with strong vibrations and shocks. The heavy-duty hinges (Version A4) can also be used in particularly aggressive environments thanks to the materials used. Wear is minimized by the effective friction pairing of the hinge components and lubrication. The type B hinge has centering attachments that prevent lateral slippage under high loads and protect the mounting screws from impermissible transverse force.

ACCESSORIES

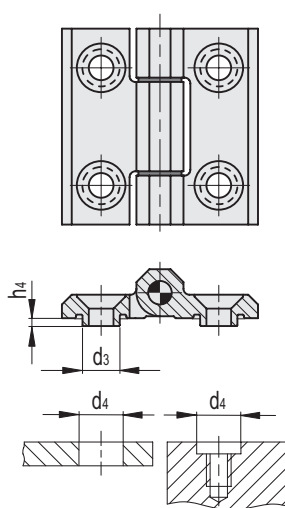
- GN 2370: Spacer plates.
- GN 2372: Plates.
- GN 2374: Rubber Bumper Stops.



GN 237.3-A4-A Shim washers



GN 237.3-A4-B



Conversion Table	
1 mm = 0.039 inch	
mm	inch
50	1.95
60	2.34
80	3.12

GN 237.3-A4-A

Code	Description	l1	l2	d1	d2	h1	h2	h3	h5	l3	m1	m2	△
GN.74501	GN 237.3-A4-50-50-A-GS	50	50	6.3	6	12.5	6	6.5	13	21	30	30	112
GN.74505	GN 237.3-A4-60-60-A-GS	60	60	8.3	8	16	8	8.5	17	25.5	36	36	210
GN.74517	GN 237.3-A4-80-80-A-GS	80	80	10.3	10	20	10	10.5	21	36	50	50	468

GN 237.3-A4-B

Code	Description	l1	l2	d1	d2	d3	d4 +0.5	h1	h2	h3	h4	h5	l3	m1	m2	△
GN.74503	GN 237.3-A4-50-50-B-GS	50	50	6.3	6	9.5	10	12.5	6	6.5	2	13	21	30	30	116
GN.74507	GN 237.3-A4-60-60-B-GS	60	60	8.3	8	12.5	13	16	8	8.5	3	17	25.5	36	36	220
GN.74519	GN 237.3-A4-80-80-B-GS	80	80	10.3	10	14.5	15	20	10	10.5	4	21	36	50	50	495